

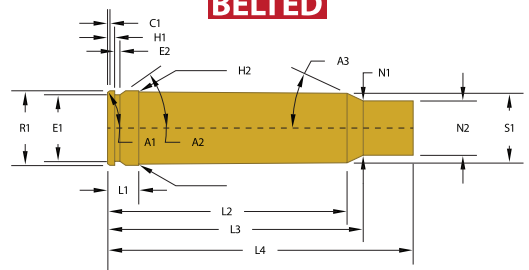


# CUSTOM ORDER FORM

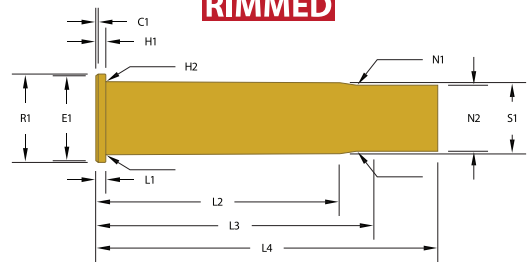
- 1: Choose one of the 5 types of cases.
- 2: Indicate either "Necked" or "Straight Wall".
- 3: Write in the proper measurements below that case type.



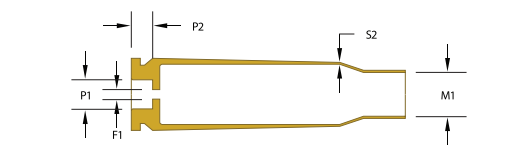
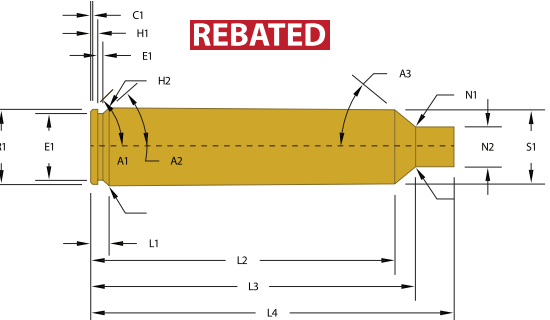
**BELTED**



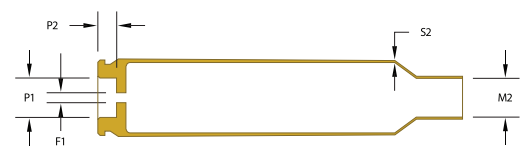
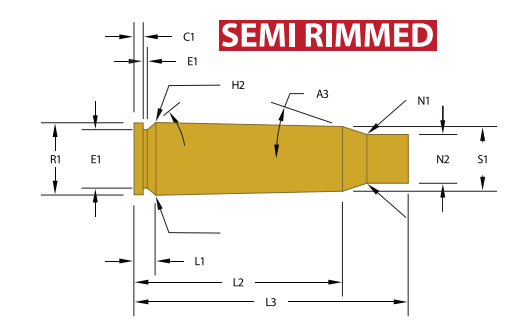
**RIMMED**



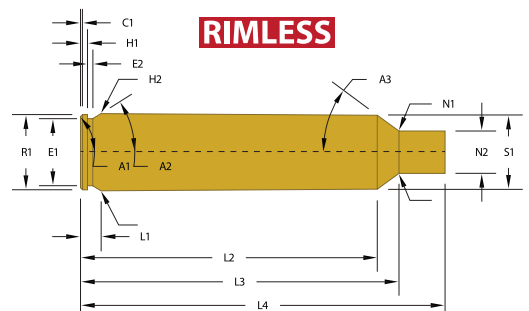
**REBATED**



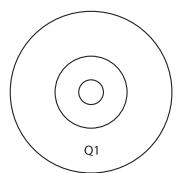
**SEMI RIMMED**



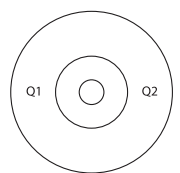
**RIMLESS**



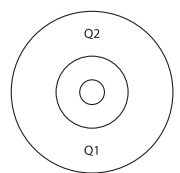
**HEAD STAMPS**



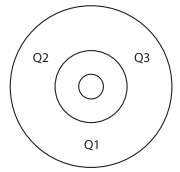
H1  
SINGLE ELEMENT  
6 O'CLOCK



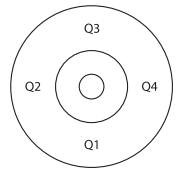
H2  
DOUBLE ELEMENT  
3 & 9 O'CLOCK



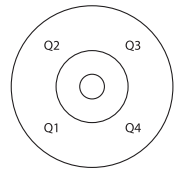
H3  
DOUBLE ELEMENT  
6 & 12 O'CLOCK



H4  
TRIPLE ELEMENT  
2, 6, & 10 O'CLOCK



H5  
QUADRUPLE ELEMENT  
3, 6, 9 & 12 O'CLOCK



H6  
QUADRUPLE ELEMENT  
3, 6, 9 & 12 O'CLOCK

CASE TYPE					
	BELTED	REBATED	RIMLESS	RIMMED	SEMI RIMMED
NECKED					
STRAIGHT WALL*					
LENGTH					
L1					
L2					
L3					
L4					
L5					
L6					
CASE HEAD					
A1					
A2					
C1					
E1					
E2					
H1					
H2					
R1					
SHOULDER					
A3					
S1					
NECK					
N1					
N2					
THICKNESS					
M1					
S1					
W1					
PRIMER POCKET					
F1					
P1					

HEAD STAMP SELECTION: H1  H2  H3   
H4  H5  H6

WRITE IN TEXT TO BE ENGRAVED AT EACH Q# FOR YOUR CHOSEN HEAD STAMP:  
 Q1: \_\_\_\_\_  
 Q2: \_\_\_\_\_  
 Q3: \_\_\_\_\_  
 Q4: \_\_\_\_\_

\*FOR STRAIGHT WALL OPTION, USE "L3"